



Setting Accents. **LUNIS® SL**

office

industry

traffic

shopping

public

sports

sITeco

Set Accents with the New Lunis® SL Series for Shops

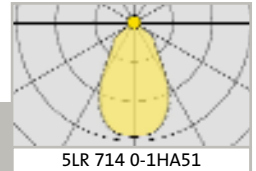


A Convincing Solution All-Round.

- Flexible.** Light inserts can be interchanged and individually configured.
- Innovative.** Fastlock universal mounting ring, rapid mounting and demounting without tools.
- Effective.** High light quality with optimised reflector geometry.



Downlight



LUNIS® SL Downlight



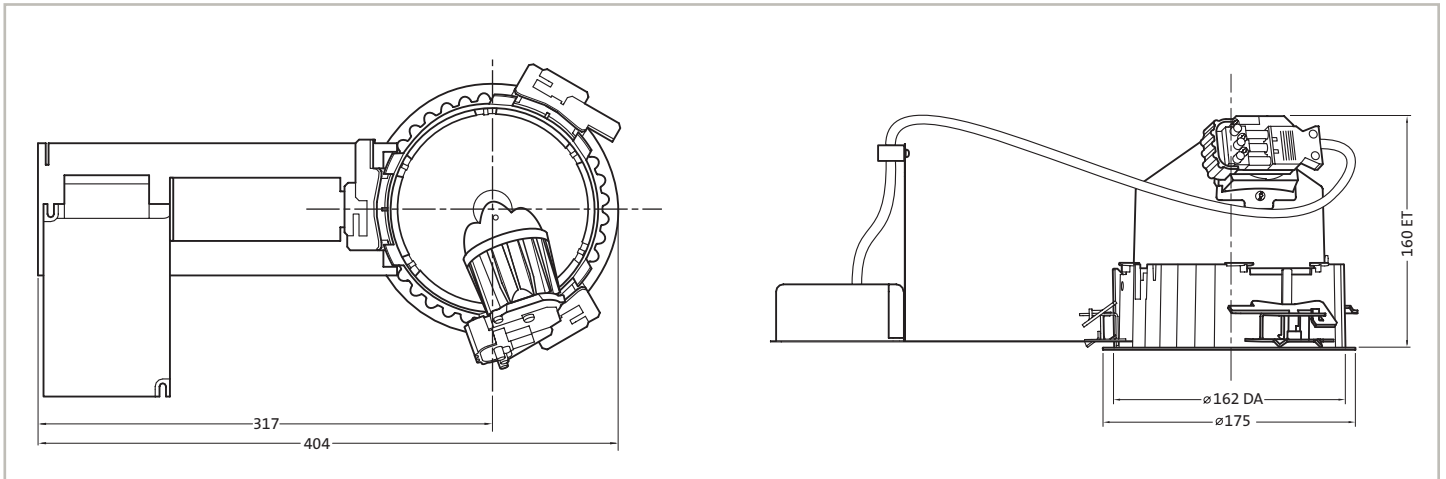
LUNIS® SL downlight for recessed ceiling installation | for HIT-CE 35W - 150W metal halide lamps | diecast aluminium light inserts with highly specular reflector, wide beam symmetrical distribution | recessed toughened safety glass cover | reduced stray light to ceiling cavity | separate gearbox* | universal diecast aluminium mounting ring with fastlock system, mounting without tools, with visible white cover ring, for accomodation of all LUNIS® SL light inserts.

Protection rating: IP 23
Insulation class: 1

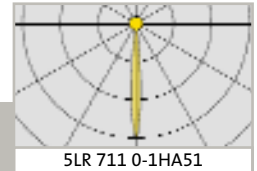
Gearbox with ECG on mounting plate as standard | ready for connection with mains terminal, pre-assembled cable with plug connection to downlight, length=0.5 m (please order gearbox separately)

- Downlight for homogenous all-purpose lighting
- State-of-the-art discharge lamp technology (HIT-CE with ceramic arc tube)
- High quality light with optimised reflector design
- Rapid mounting and demounting without tools
- Universal fastlock mounting ring, can be varied for ceiling thicknesses 2-45 mm

Lamping (W)	Lamp Holder	D (mm)	RD (mm)	Weight (kg)	ECG Order-No.
1xHIT-CE 35W/70W	G12	175	160	0.9	5LR 714 0-1HA51
1xHIT-CE 150W	G12	175	160	0.9	5LR 714 0-1JA51



Directional Spotlight



LUNIS® SL Directional Spotlight 8°



LUNIS® SL directional spotlight for recessed ceiling installation | for HIT-CE 35W - 150W metal halide lamps | diecast aluminium light inserts with highly specular reflector, rotatable 360°, tiltable 40°, reflector installed without tools, extremely narrow beam symmetrical distribution (8°) | with recessed toughened safety glass cover | reduced stray light to ceiling cavity | separate gearbox* | universal diecast aluminium mounting ring with Fastlock system, mounting without tools, with visible white cover ring, for accomodation of all LUNIS® SL light inserts.

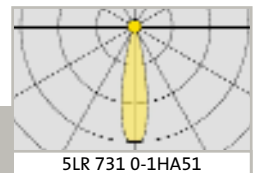
Protection rating: IP 23
Insulation class: 1

* Gearbox with ECG on mounting plate as standard | ready for connection with mains terminal, pre-assembled cable with plug connection to downlight, length=0.5 m (please order gearbox separately)

- Directional spotlight for targeted accenting
- Rotatable and tiltable for optimal positioning
- State-of-the-art discharge lamp technology (HIT-CE with ceramic arc tube)
- High quality light with optimised reflector design
- Rapid mounting and demounting without tools
- Universal fastlock mounting ring, can be varied for ceiling thicknesses 2-45 mm

Lamping (W)	Lamp Holder	D (mm)	RD (mm)	Weight (kg)	ECG Order-No.
1xHIT-CE 35W/70W	G12	175	160	0.9	5LR 711 0-1HA51
1xHIT-CE 150W	G12	175	160	0.9	5LR 711 0-1JA51

RD = recessed depth



LUNIS® SL Directional Spotlight 28°

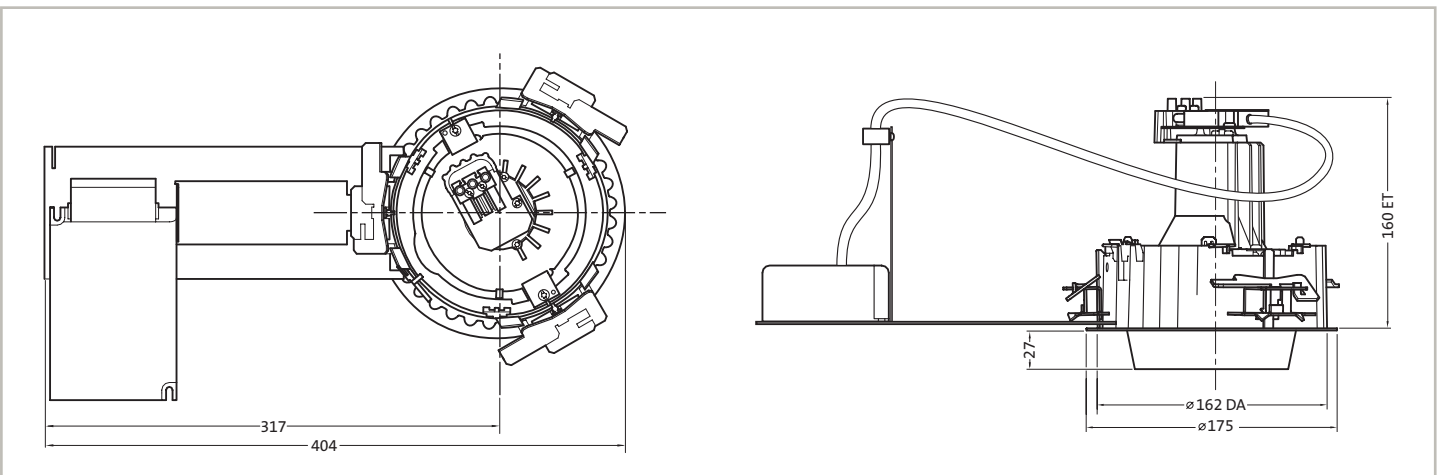


LUNIS® SL directional spotlight for recessed ceiling installation | for HIT-CE 35W - 150W metal halide lamps | diecast aluminium light insert, rotatable 360°, tiltable 40°, reflector installed without tools, narrow beam symmetrical distribution (28°), facetted | with recessed toughened safety glass cover | reduced stray light to ceiling cavity | separate gearbox* | universal diecast aluminium mounting ring with Fastlock system, mounting without tools, with visible white cover ring, for accomodation of all LUNIS® SL light inserts.

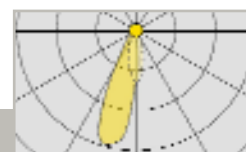
Protection rating: IP 23
Insulation class: 1

* Gearbox with ECG on mounting plate as standard | ready for connection with mains terminal, pre-assembled cable with plug connection to downlight, length=0.5 m (please order gearbox separately)

Lamping (W)	Lamp Holder	D (mm)	RD (mm)	Weight (kg)	ECG Order-No.
1xHIT-CE 35W/70W	G12	175	160	0.9	5LR 731 0-1HA51
1xHIT-CE 150W	G12	175	160	0.9	5LR 731 0-1JA51



Wallwasher



5LR 735 0-1HA51

LUNIS® SL Wallwasher



LUNIS® SL wall washer for recessed ceiling installation | for HIT-CE 35W - 150W metal halide lamps | diecast aluminium light insert, rotatable 360°, tiltable 40°, reflector installed without tools, narrow beam asymmetrical distribution, faceted | with recessed toughened safety glass cover | reduced stray light to ceiling cavity | separate gearbox* | universal diecast aluminium mounting ring with Fastlock system, mounting without tools, with visible white cover ring, for accomodation of all LUNIS® SL light inserts.

Protection rating: IP 23
Insulation class: 1

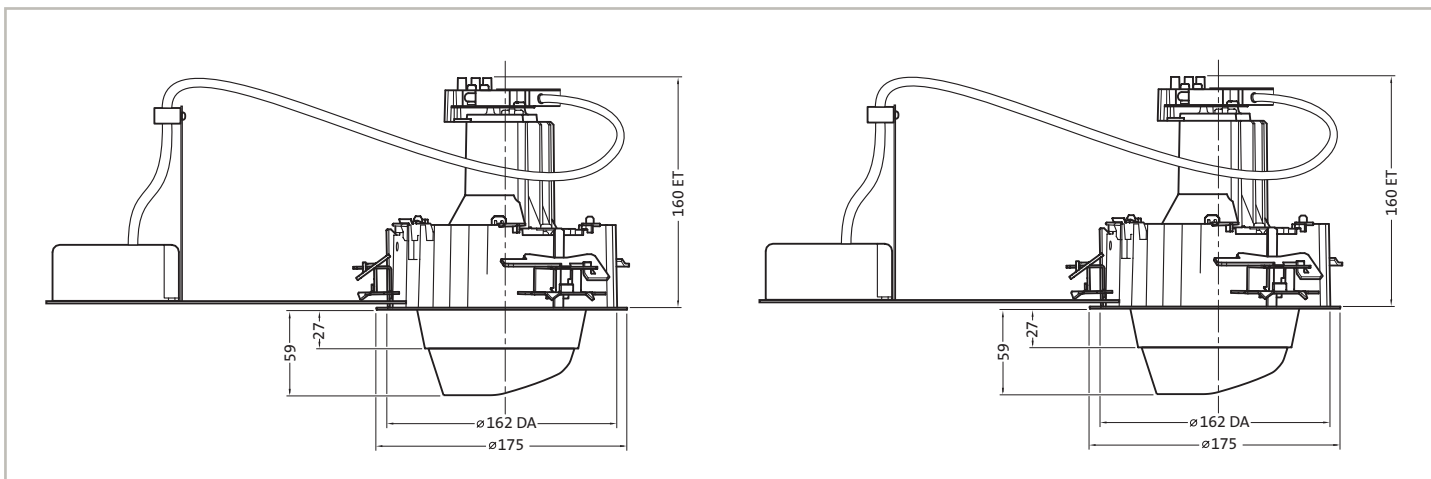
* Gearbox with ECG on mounting plate as standard | ready for connection with mains terminal, pre-assembled cable with plug connection to downlight, length=0.5 m (please order gearbox separately)

- Wallwasher for uniform illumination of vertical surfaces
- Rotatable and tiltable for optimal positioning
- State-of-the-art discharge lamp technology (HIT-CE with ceramic arc tube)
- High quality light with optimised reflector design
- Rapid mounting and demounting without tools
- Universal fastlock mounting ring, can be varied for ceiling thicknesses 2-45 mm



Lamping (W)	Lamp Holder	D (mm)	RD (mm)	Weight (kg)	ECG Order-No.
1xHIT-CE 35W/70W	G12	175	160	0.9	5LR 735 0-1HA51
1xHIT-CE 150W	G12	175	160	0.9	5LR 735 0-1JA51

RD = recessed depth



LUNIS® SL Accessories



ECG unit for HIT-CE lamps:
ECG on mounting plate with 3-pole mains terminal, max. 2.5 mm² | plug connection to luminaire module | 3-pole | cable length approx. 0.5 m

Article	Weight (kg)	Order-No.
ECG for HIT 35W	0.6	5LR 000 8GA
ECG for HIT 70W	0.6	5LR 000 8HA
ECG for HIT 150W	0.6	5LR 000 8JA

For further information please contact a sales office in your vicinity:

Sales Germany

Berlin
Nonnendammallee 42-43
D-13599 Berlin
Tel. (030) 355309-10
Fax (030) 355309-20
eMail: berlin@siteco.de

Frankfurt/Main
Solmsstr. 2 Gebäude A/B
D-60486 Frankfurt/Main
Tel. (069) 970974-0
Fax (069) 970974-11
eMail: frankfurt-main@siteco.de

Hamburg
Valvo Park, Gebäude K
Essener Straße 4
D-22419 Hamburg
Tel. (040) 537120-50
Fax (040) 537120-77
eMail: hanse@siteco.de

Hannover
Dorfstraße 17
D-30519 Hannover
Tel. (0511) 874152-50
Fax (0511) 874152-40
eMail: hannover@siteco.de

Leipzig
Fuggerstraße 1A
D-04158 Leipzig
Tel. (0341) 52677-12
Fax (0341) 52677-20
eMail: leipzig@siteco.de

Lünen
An der Wethmarheide 34
D-44536 Lünen
Tel. (02306) 2004-0
Fax (02306) 2004-20
eMail: ruhr@siteco.de

Mannheim
Josef-Meyer-Straße 13-15
D-68167 Mannheim
Tel. (0621) 39701-0
Fax (0621) 39701-30
eMail: mannheim@siteco.de

Munich
Neumarkter Straße 80
D-81673 München
Tel. (089) 454296-0
Fax (089) 454296-77
eMail: munchen@siteco.de

Nuremberg
Gebäude G/1. OG
Allersberger Straße 185
D-90461 Nürnberg
Tel. (0911) 94178-0
Fax (0911) 94178-31
eMail: nuernberg@siteco.de

Stuttgart
Rutesheimer Straße 24
D-70499 Stuttgart
Tel. (0711) 880237-0
Fax (0711) 880237-30
eMail: stuttgart@siteco.de

Sales Austria

Graz
Straßganger Straße 315
A-8054 Graz
Tel. +43 (316) 28 45 03
Fax +43 (316) 28 64 77
eMail: graz@siteco.at

Innsbruck
Tiergartenstraße 37
A-6023 Innsbruck
Tel. +43 (512) 39 43 43
Fax +43 (512) 39 43 45
eMail: innsbruck@siteco.at

Klagenfurt
Spitalbergweg 20
A-9020 Klagenfurt
Tel. +43 (463) 48 18 80
Fax +43 (463) 48 18 80-5
eMail: klagenfurt@siteco.at

Linz
Pillweinstraße 30
A-4020 Linz
Tel. +43 (732) 60 70 80
Fax +43 (732) 60 60 40
eMail: linz@siteco.at

Salzburg
Alte Aigner-Straße 41
A-5026 Salzburg
Tel. +43 (662) 62 58 02
Fax +43 (662) 62 58 02 22
eMail: salzburg@siteco.at

Vienna
Leonard-Bernstein-Straße 10
A-1220 Wien
Tel. +43 (1) 250 24-0
Fax +43 (1) 250 24-255
eMail: wien@siteco.at

Sales Switzerland

Bern
Siteco Schweiz AG
Airport Business Center 62
CH-3123 Belp-Bern
Tel. +41 31 818 28 28
Fax +41 31 818 28 20
eMail: info@siteco.ch

Sales Europe

Belgium (Indoor Lighting)
C.T.R. s.a.
Rue J.B. Deckockstraat, 99-101
B-1080 Bruxelles
Tel. +32 2 410 50 10
Fax +32 2 410 02 46
eMail: mschayer@ctr.be

Benelux (Outdoor Lighting)
Siteco Benelux
Middendreef 49
B-2920 Kalmthout
Tel. +32 366 638 05
Fax +32 366 608 73
eMail: benelux@siteco.com

Bosnia and Herzegovina
Siteco d.o.o.
Predstavništvo u BiH
Ul. Hamdije Cemerlica 2
BIH-71000 Sarajevo
Tel. +387 33 718 640
Fax +387 33 654 814
eMail: siteco@bih.net.ba

Croatia
Siteco d.o.o.
Predstavništvo u Republici
Hrvatskoj
Trg Dražena Petrovića 3
HR-10000 Zagreb
Tel. +385 1 48 12 417
Fax +385 1 48 43 588
eMail: r.sadaic@siteco.hr

Czech Republic
Siteco Lighting, spol sr.o.
U Nikolajky 1085/15
CZ-15000 Praha 5-Smichov
Tel. +420 251 013 800
Fax +420 251 560 772
eMail: info@siteco.cz

Denmark
Siteco Beleuchtungstechnik GmbH
Valvo Park, Gebäude K
Essener Straße 4
D-22419 Hamburg
Tel. +45 735 404 50
Fax +45 735 404 51
eMail: denmark@siteco.com

Finland (Indoor Lighting)
Pejan OY
Lemuntie 3-5
FI-00510 Helsinki
Tel. +358 9 819 0100
Fax +358 9 802 4566
eMail: info@pejan.fi

Finland (Outdoor Lighting)
Silux Oy Ab
Ulappakatu 1
FI-02320 Espoo
Tel. +358 9 80 22 077
Fax +358 9 80 21 359
eMail: info@silux.fi

France
ANDOMIA Sarl
Parc Club des Tanneries BP77
FR-67832 Lingolsheim
Tel. +33 3 88 76 55 75
Fax +33 3 88 76 08 72
eMail: andomia@wanadoo.fr

Greece
Siemens A.E.
Artemidos 8 - P.O. Box 61011
GR-151 10 Amaroussio/Athen
Tel. +30 210 6864 578
Fax +30 210 6864 562
eMail: info@siteco.de

Hungary
Siteco Lighting, spol sr.o.
U Nikolajky 1085/15
CZ-15000 Praha 5-Smichov
Tel. +420 251 013 800
Fax +420 251 560 772
eMail: info@siteco.cz

Ireland
Siteco Ltd
Siteco House
150A Holland Street
Denton
Manchester M34 3GG
Tel. +44 161 304 5620
Fax +44 161 335 9008
eMail: info@siteco.co.uk

Italy
Siteco Lighting Systems S.r.l.
Via Pollini 8
I-20126 Milano
Tel. +39-0266-11-7107
Fax +39-0266-11-3056
eMail: info@sitecoitalia.it

Latvia
Siteco Lighting Design Center
Terbatas iela 28, 3 stavs
LV-1011 Riga
Tel. +371 728 2235
Fax: +371 728 2289
eMail: janis@silicalatvija.lv

Luxembourg
MINUSINES S.A.
8, rue Hogenberg
L-1022 Luxembourg
Valvo Park, Gebäude K
Tel. +352 49 58 58
Fax +352 49 58 66
eMail: info@minusines.lu

Netherlands (Indoor Lighting)
Industrieelicht B.V.
Van Hennaertweg 7
NL-2952 CA Alblisserdam
Tel. +31 78 6920 900
Fax +31 78 6920 905
eMail: info@industrieelicht.nl

Norway
Siteco Belysning AS
Ole Deviks Vei 4
N-0666 Oslo
Tel. +47 23 37 32-50
Fax +47 23 37 32-60
eMail: siteco@siteco.no

Poland
Siteco Lighting Poland Sp.z.o.o
ul. Polecicki 21
PL-02-822 Warszawa
Tel. +48 22 5450583
Fax +48 22 5450584
eMail: info@siteco.com.pl

Portugal
Siemens S.A.
A & D Iluminação
Rua Irmaos Siemens 1
PT-2720-093 Amadora
Tel. +351 21 417 82 08
Fax +351 21 417 80 27
eMail: iluminacao.pt@siemens.com

Sweden
Annell Ljus + Form AB
Stribrumsgatan 14
SE-11421 Stockholm
Tel. +46 8 442 90 00
Fax +46 8 442 90 25
eMail: info@annell.se

Serbia and Montenegro
Siteco d.o.o. Predstavništvo
Palmoticeva 16 A
SCG-11000 Beograd
Srbija / Crna Gora
Tel. +381 11 303 31 35/36
Fax +381 11 303 31 37
eMail: godjevac@siteco.co.yu

Slovenia
Siteco Sistemi d.o.o.
Trzaska c.23
SI-2000 Maribor
Tel. +386 2 300 4277
Fax +386 2 332 5202
eMail: prodaja@siteco.si

Spain
Siemens S.A., PS 8
Ronda de Europa 5
E-28760 Tres Cantos (Madrid)
Tel. +34 91 514 8000
Fax +34 91 514 7016
eMail: info@siteco.de

Turkey
Siteco Aydinlatma Teknigi
E5 Yanol
Esentepe Mah. No:11
TR-34870 Kartal / Istanbul
Tel. +90 216 517 9386
Fax +90 216 517 7970
eMail: siteco@siteco.com.tr

United Kingdom
Siteco Ltd
Unit 3-4 Grosvenor Business Park
Horsfield Way
Bredbury Industrial Estate
Stockport
SK6 2SU
United Kingdom
Tel. +44 161 406 0800
Fax +44 161 494 6756
eMail: info@siteco.co.uk

International Sales

Headquarters China
Siteco Prosperity Lighting
(Hong Kong) Co. Ltd.
1401 Harbour Centre
25 Harbour Road, Wanchai
Hong Kong
Tel. +852 3529 1623
Fax +852 3529 1222
eMail: info@siteco-prosperity.com

Siteco Prosperity Lighting
(Langfang) Co. Ltd.
Beijing Branch
Room B2903 Eagle Plaza
No. 26 Xiao Yun Road
Chao Yang District
Beijing, China, 100016
Tel. +86 10 84 58 01 19
Fax +86 10 84 58 02 98
eMail: beijing_info@siteco.cn

Siteco Prosperity Lighting
(Langfang) Co. Ltd.
Shanghai Branch
Room 4GH
No. 179 Zhongshan Road (W)
Shanghai, China, 200051
Tel. +86 021 52724052
Fax +86 021 52723733
eMail: shanghai.info@siteco-prosperity.com

Siteco Prosperity Lighting
(Langfang) Co. Ltd.
Shanghai Branch
Room 4GH
No. 179 Zhongshan Road (W)
Shanghai, China, 200051
Tel. +86 021 52724052
Fax +86 021 52723733
eMail: shanghai.info@siteco-prosperity.com

Headquarters Middle East
Siteco Lighting Systems
Branch Office
DAFZA, Eastwing II, Office 308,
P.O. Box 54317, Dubai,
United Arab Emirates
Tel. +971 4 299 69 51
Fax +971 4 299 69 52
eMail: o.schwarz@siteco.de

Headquarters South East Asia Pacific
Siteco Lighting (M) Sdn Bhd
No 3A-15, IOI Business Park,
No 1, Persiaran Puchong Jaya
Selatan, Bandar Puchong Jaya
47100 Puchong
Selangor Darul Ehsan
Tel. +603 8070-4722
Fax: +603 8070-8845
eMail: info@siteco.com.my

Australia
Sylvania Lighting
Australasia PTY Ltd.
Sylvania Way,
Lisarow
2250 NSW
Australia
Tel.: +61 2 4328 0600
Fax: +61 2 4328 0698
eMail: markwest@sla.net.au

Indonesia
PT SIELITEC
Cahaya Tunggal Indonesia
Kompleks Ferry Sonnevillie
Block IV Kavling D1/D2
Gunung Putri
16961 Bogor
Tel. +6221 867 1461
Fax +6221 867 1743
eMail: sielitec@indo.net.id

Singapore
Sielitec Pte. Ltd.
49, Jalan Pemimpin # 03-05
APS Industrial Building
Singapore 577203
Singapore
Tel. +65 6255 2325
Fax +65 6255 1890
eMail: sielitec@singnet.com.sg

Siteco Lighting Design Center Seoul
1420 Rosedale Building
724 Sooseo-Dong Kangnam-Gu
135744 Seoul
Korea
Tel. +82 2 6242 1098
Fax +82 2 6242 1197
eMail: mail@sitecokorea.co.kr

Headquarters GUS/Russia
Siteco Lighting Systems
Krasnoprolatarskaya str. 7,
Building 2
127006 Moscow Russia
Tel. +7 495 518 9840
Fax +7 495 792 5302
eMail: olga@siteco.dol.ru



Outdoor Luminaires 2006 /2007



Indoor Luminaires 2006 /2007

siteco

Siteco Lighting Systems
Georg-Simon-Ohm-Straße 50 | 83301 Traunreut | Germany
Tel: +49 (0)8669 33-822 | Fax: +49 (0)8669 33-397
E-Mail: info@siteco.de · Web: www.siteco.com