





Asymmetrical Floodlights



SiCOMPACT A2 MINI
 page 13 | 4



SiCOMPACT A2 MIDI
 page 13 | 5



SiCOMPACT A2 MAXI
 page 13 | 6

Symmetrical Floodlights



SiCOMPACT S2 MINI
 page 13 | 8



SiCOMPACT S2 MIDI
 page 13 | 9



SiCOMPACT S2 MAXI
 page 13 | 10

Projectors



R1 MINI-S
 page 13 | 12



R1 MINI Aluminium
 page 13 | 13



SiCOMPACT R2 MIDI
 page 13 | 14



SiCOMPACT R2 MAXI
 page 13 | 15

Asymmetrical Floodlights



SiCOMPACT A2 MINI

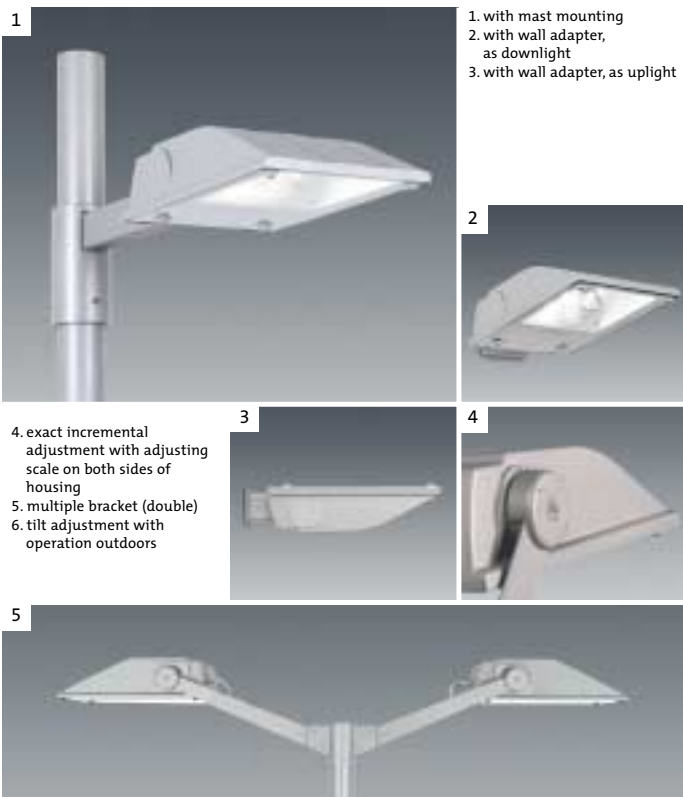
features

floodlight with asymmetrical light distribution | compact design | for mast* or wall mounting | specular reflector with wide beam characteristic | flat glass cover | for QT-DE, HST-DE, HIT-DE, HIT-DE-CE lamps | diecast aluminium housing, surface coated in Siteco metallic grey or in pure white (RAL 9010)**

luminaire dimensions:
L = 355mm, B = 276mm, H= 95mm, weight: 9kg
recommended mounting height: 1-6m
protection rating: IP66
protection class: I

benefits

- operation with conventional control gear (with integrated thermal protection) or with HFG
- also available with special ignitor for instant hot re-ignition
- IP66: protection against dust and moisture pressure equalisation system with air-permeable connector for condensation avoidance
- luminaire series also available with rotosymmetrical and symmetrical light distribution
- integrated protection against twisting (to protect against flying balls)
- protection against twisting with integrated friction lock | simple adjustment in 5° increments

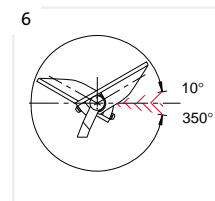


1. with mast mounting
2. with wall adapter, as downlight
3. with wall adapter, as uplight

4. exact incremental adjustment with adjusting scale on both sides of housing
5. multiple bracket (double)
6. tilt adjustment with operation outdoors

Order No.	Lamps (W)
SiCOMPACT A2 MINI, with bracket without ignitor and control gear	
5NA 757 0-1SS0208H	1xQT-DE 200/300W
with built-in ignitor and control gear	
5NA 757 E-1NS0208	1xHIT-DE/HST-DE 70W
5NA 757 E-1PS0208	1xHIT-DE/HST-DE 150W
with built-in HFG	
5NA 757 7-1NS0208	1xHIT-DE 70W
SiCOMPACT A2 MINI for mast mounting without ignitor and control gear	
5NA 757 0-1SS2208H	1xQT-DE 200/300W
with built-in ignitor and control gear	
5NA 757 E-1NS2208	1xHIT-DE/HST-DE 70W
5NA 757 E-1PS2208	1xHIT-DE/HST-DE 150W
with built-in HFG	
5NA 757 7-1NS2208	1xHIT-DE 70W
SiCOMPACT A2 MINI for multiple bracket arms with built-in ignitor and control gear	
5NA 757 E-1NS1208	1xHIT-DE/HST-DE 70W
5NA 757 E-1PS1208	1xHIT-DE/HST-DE 150W

■ for further lamping variations see e-Catalogue



* please order accessories separately
** the luminaires are available as standard in the colour pure white (RAL 9010) (see appendix for order number code)

reference	
accessories	13 7



SiCOMPACT A2 MIDI

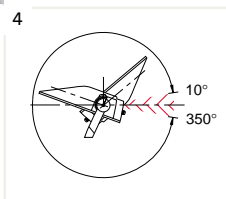
features

floodlight with asymmetrical light distribution | compact design | for most mounting* | specular reflector with wide or narrow beam characteristics | flat glass optical enclosure | for QT-DE, HST-DE, HIT-DE, HIT-DE-CE lamps | diecast aluminium housing, surface coated in Siteco metallic grey

luminaire dimensions:
L = 565mm, B = 465mm, H = 155mm, weight: 18kg
recommended mounting height: 6-12m
protection rating: IP66
protection class: I

benefits

- operation with conventional ballast with integrated thermal protection
- also available with special ignitor for instant hot re-ignition
- IP66: protection against dust and moisture pressure equalisation system with air-permeable connector for condensation avoidance
- luminaire series also available with rotosymmetrical and symmetrical light distribution
- integrated protection against twisting (to protect against flying balls)
- protection against twisting with integrated friction lock | simple adjustment in 5° increments



1. multiple bracket
2. exact incremental adjustment with adjusting scale on both sides of housing
3. wide beam specular reflector
4. tilt adjustment with operation outdoors

Order No.	Lamps (W)
SiCOMPACT A2 MIDI, with bracket without ignitor and control gear	
wide beam	
5NA 758 0-1VS0208H	1xQT-DE 1000W
narrow beam	
5NA 758 0-1VB0208H	1xQT-DE 1000W
with built-in ignitor and control gear	
wide beam	
5NA 758 E-1RS0208	1xHIT-DE 250W
5NA 758 E-1SS0208	1xHST-DE 250W
5NA 758 E-1TS0208	1xHIT-DE/HST-DE 400W
narrow beam	
5NA 758 E-1RB0208	1xHIT-DE 250W
5NA 758 E-1SB0208	1xHST-DE 250W
5NA 758 E-1TB0208	1xHIT-DE/HST-DE 400W
SiCOMPACT A2 MIDI, for multiple brackets with built-in ignitor and control gear	
wide beam	
5NA 758 E-1RS1208	1xHIT-DE 250W
5NA 758 E-1SS1208	1xHST-DE 250W
5NA 758 E-1TS1208	1xHIT-DE/HST-DE 400W

- for further lamping variations see e-Catalogue

reference

■ accessories 13 | 7

* please order accessories separately

Asymmetrical Floodlights



SiCOMPACT A2 MAXI

features

floodlight with asymmetrical light distribution | for mounting on mast* or supporting structure | reflectivity enhanced aluminium reflector with wide or narrow beam characteristics | flat glass cover | for HST, HIT, HIT-DE lamps | diecast aluminium housing, sandblasted aluminium surface

luminaire dimensions:
L = 790mm, B = 630mm, H= 228mm, weight: 26kg
recommended mounting height: 10-30m
protection rating: IP 65
protection class: I

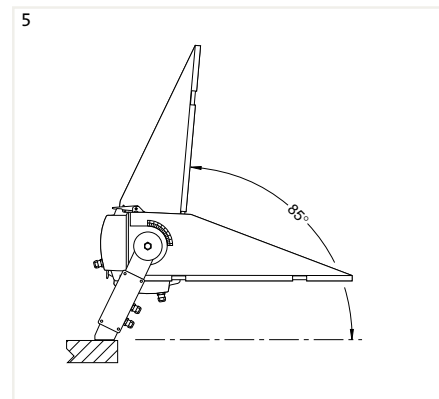
benefits

- integrated pressure equalisation port
- horizontally-oriented housing aperture for asymmetrical, directed light in front
- avoidance of light interference with 65° main vertical beam direction
- protection against twisting with integrated friction lock | simple adjustment in 5° increments
- all-pole mains disconnection with opening of housing (with double-socket lamps)
- versions with a built-in ignitor for instant hot re-ignition allow a quick restart of the floodlight after a mains disconnection
- recommended application areas: sport stadiums, extensive industrial facilities



Order No.	Lamps (W)
SiCOMPACT A2 MAXI, with built-on ignitor without control gear ¹⁾	
wide beam	
5NA 759 0-1VS01	1xHIT/HST 1000W
5NA 759 0-1VS02	1xHIT-DE 1000W
5NA 759 0-1WS02	1xHIT-DE 2000W
narrow beam	
5NA 759 0-1VB02	1xHIT-DE 1000W
5NA 759 0-1WB02	1xHIT-DE 2000W

1) please order and install control gear separately, see page 13|17

















1. faceted reflector for extremely asymmetrical light distribution, optimal glare limitation and reduction of stray light
2. safety: automatic mains disconnection when housing is opened
3. 1-lamp version
4. 2-lamp version
5. maximum floodlight angle
6. exact incremental adjustment with adjusting scale on both sides of housing

reference	
☑ control gear	13 17
☑ accessories	13 7

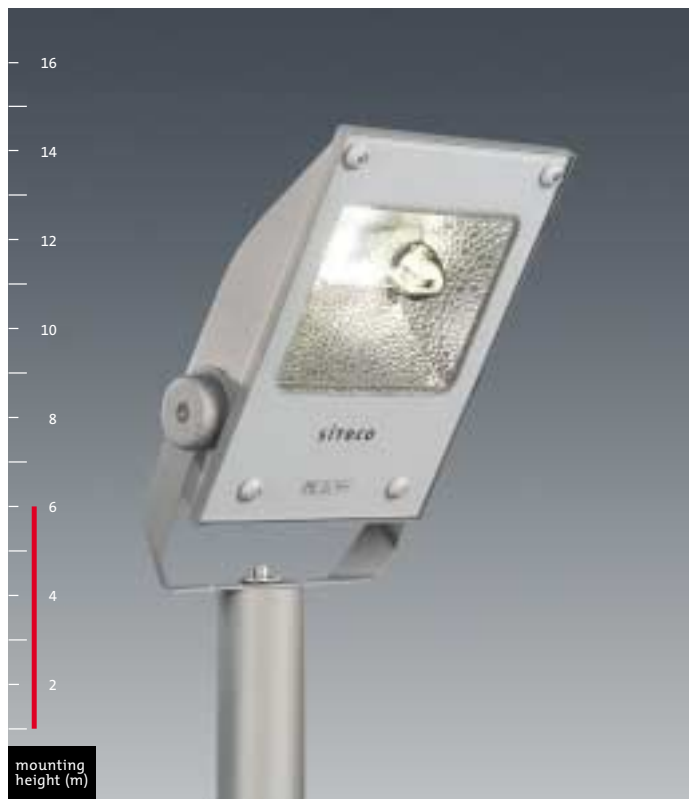
* please order cross-arm (essential accessory) separately (see eCatalogue)

Accessories for SiCOMPACT A2 MINI, SiCOMPACT A2 MIDI, SiCOMPACT A2 MAXI

					
	mast adapter with bracket	multiple bracket (double)	wall adapter	visor	louvre shielding
	for mast spigot ø 76mm 5NY 757 0-1XA2108	for mast spigot ø 76mm 5NY 757 0-2XD1108 ø 89mm 5NY 757 0-2XD2108 triple and quadruple bracket on request		5NA 757 0-0XB	5NA 757 0-0XL
			5NY 757 0-1XW2108 for mounting as uplight or downlight (uplight on request)	5NA 757 0-0XB	5NA 757 0-0XL
		for mast spigot ø 89mm 5NY 758 0-2XD2108 triple and quadruple bracket on request		5NA 758 0-0XB	5NA 758 0-0XL

		cross-arms for 1 floodlight		cross-arms for 2 floodlights	
					
	for mast spigot	cross-arm type 1	cross-arm type 2	cross-arm type 3	cross-arm type 4
	ø 60mm ø 76mm ø 89mm	5NY 747 0-1XA01 5NY 747 0-1XA11 5NY 747 0-1XA21	5NY 747 0-1XA02 5NY 747 0-1XA12 5NY 747 0-1XA22	5NY 747 0-2XA11 5NY 747 0-2XA21	5NY 747 0-2XA12 5NY 747 0-2XA22
	ø 76mm ø 89mm ø 102 / 108mm	5NY 747 0-1XA11 5NY 747 0-1XA21 5NY 747 0-1XA31	5NY 747 0-1XA12 5NY 747 0-1XA22 5NY 747 0-1XA32	5NY 748 0-2XA11 5NY 748 0-2XA21 5NY 748 0-2XA31	5NY 748 0-2XA12 5NY 748 0-2XA22 5NY 748 0-2XA32
	ø 76mm ø 89mm ø 102 / 108mm	5NY 749 0-1XA11 5NY 749 0-1XA21 5NY 749 0-1XA31	5NY 749 0-1XA12 5NY 749 0-1XA22 5NY 749 0-1XA32	available on request	available on request

Symmetrical Floodlights



SiCOMPACT S2 MINI

features

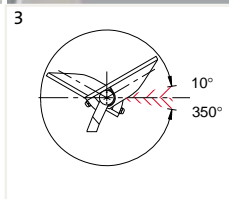
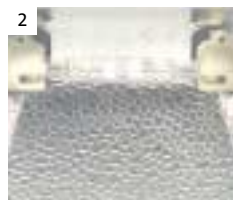
floodlight with symmetrical light distribution | compact design | for mast* or wall mounting | adjustment range 360° | flat glass cover | for QT-DE, HST-DE, HIT-DE, HIT-DE-CE lamps | diecast aluminium housing, surface coated in Siteco metallic grey, optionally in pure white (RAL 9010)**

luminaire dimensions:
L = 355mm, B = 276mm, H= 95mm, weight: 9kg
recommended mounting height: 1-6m
protection rating: IP 66
protection class: I

benefits

- with conventional control gear (with integrated thermal protection) or with HFG
- available with special ignition device for instant hot re-ignition
- IP66: protection against dust and moisture pressure equalisation system with air-permeable connector for condensation avoidance
- enclosure of flat safety glass is mechanically protected within housing
- integrated protection against twisting (to protect against flying balls)
- twist protection with integrated friction lock | simple adjustment in 5° increments

1. exact incremental adjustment with adjusting scale on both sides of housing
2. specular reflector, wide beam distribution
3. tilt adjustment with operation outdoors



Order No.	Lamps (W)
SiCOMPACT A2 MINI	
without ignitor and control gear	
5NA 751 0-1SS0208H	1xQT-DE 200/300W
with built-in ignitor and control gear	
5NA 751 E-1NS0208	1xHIT-DE/HST-DE 70W
5NA 751 E-1PS0208	1xHIT-DE/HST-DE 150W
with built-in HFG	
5NA 751 7-1NS0208	1xHIT-DE 70W

for further lamping variations see e-Catalogue

* please order accessories separately
** the luminaires are available as standard in the colour pure white (RAL 9010) (see appendix for order number code)

reference
accessories 13 11



SiCOMPACT S2 MIDI

features

floodlight with symmetrical light distribution | compact design | for most mounting* | adjustment range 360° | specular reflector with narrow or wide beam characteristic | flat glass cover | for QT-DE, HST-DE, HIT-DE, HIT-DE-CE lamps | diecast aluminium housing, surface coated in Siteco metallic grey

luminaire dimensions:
L = 565mm, B = 465mm, H= 155mm, weight: 18kg
recommended mounting height: 6-12m
protection rating: IP 66
protection class: I

benefits

- with conventional control gear (with integrated thermal protection) or with HFG
- available with special ignition device for instant hot re-ignition
- IP66: protection against dust and moisture pressure equalisation system with air-permeable connector for condensation avoidance
- enclosure of flat safety glass is mechanically protected within housing
- twist protection with integrated friction lock | simple adjustment in 5° increments



mounting height (m)



1

Order No.	Lamps (W)
SiCOMPACT A2 MINI	
without ignitor and control gear	
narrow beam	
5NA 752 0-1VS0208H	1xQT-DE 1000W
with built-in ignitor and control gear	
wide beam	
5NA 752 E-1RS0208	1xHIT-DE 250W
5NA 752 E-1SS0208	1xHST-DE 250W
5NA 752 E-1TS0208	1xHIT-DE/HST-DE 400W
with built-in ignitor and control gear	
narrow beam	
5NA 752 E-1RB0208	1xHIT-DE 250W
5NA 752 E-1SB0208	1xHST-DE 250W
5NA 752 E-1TB0208	1xHIT-DE/HST-DE 400W

for further lamping variations see e-Catalogue



2

1. specular reflector, wide beam distribution
2. exact incremental adjustment with adjusting scale on both sides of housing

reference

accessories 13 | 11

* please order accessories separately

Symmetrical Floodlights



SiCOMPACT S2 MAXI

features

floodlight with symmetrical light distribution | with bifocal reflector system | for mounting on mast* or supporting structure | specular aluminium reflector with wide or narrow beam characteristics | flat glass cover | for HST, HIT, HIT-DE lamps | diecast aluminium housing, sandblasted aluminium surface

luminaire dimensions:
L = 403mm, B = 690mm, H= 452mm, weight: 21kg
recommended mounting height: 10-30m
protection rating: IP 65
protection class: I

benefits

- pressure equalisation system with air-permeable connector for condensation avoidance
- innovative bifocal reflector technology ensures a uniform illumination of the entire area, whether near or far from mast | high degree of efficiency and low light spill
- protection against twisting with integrated friction lock | adjustment in 2.5° increments
- tool-free relamping with housing cover opened from the rear
- all-pole mains disconnection when housing is opened
- versions with built-in ignitor for instant hot re-ignition allow quick restart of the floodlight after mains disconnection

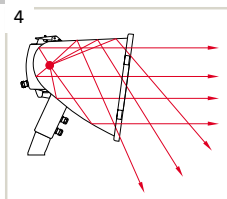


Order No.	Lamps (W)
SiCOMPACT A2 MAXI, with built-in ignitor, without control gear ¹⁾	
wide beam	
5NA 753 0-1VS01	1xHIT/HST 1000W
5NA 753 0-1VS02	1xHIT-DE 1000W
5NA 753 0-1WS02	1xHIT-DE 2000W
narrow beam	
5NA 753 0-1VB01	1xHIT/HST 1000W
5NA 753 0-1VB02	1xHIT-DE 1000W
5NA 753 0-1WB02	1xHIT-DE 2000W

1) please order and install control gear separately, see page 13 | 17
 for further lamping variations see e-Catalogue










1. bifocal reflector technology for a uniform illumination of the entire area, whether near or far from mast
2. wide beam reflector
3. twist protection with integrated friction lock | adjustment in 2.5° increments
4. bifocal reflector geometry | minimal glare | up to 50% light spill reduction and c. 20% higher efficiency compared with standard floodlights



* please order cross-arm (essential accessory) separately

reference	
<input checked="" type="checkbox"/> control gear	13 17
<input checked="" type="checkbox"/> accessories	13 11

Accessories for SiCOMPACT S2 MINI, SiCOMPACT S2 MIDI, SiCOMPACT S2 MAXI

		cross-arms for 1 floodlight		cross-arms for 2 floodlights	
for mast spigot					
		cross-arm type 1	cross-arm type 2	cross-arm type 3	cross-arm type 4
	ø 60mm ø 76mm ø 89mm	5NY 747 0-1XA01 5NY 747 0-1XA11 5NY 747 0-1XA21	5NY 747 0-1XA02 5NY 747 0-1XA12 5NY 747 0-1XA22	5NY 747 0-2XA11 5NY 747 0-2XA21	5NY 747 0-2XA12 5NY 747 0-2XA22
	ø 76mm ø 89mm ø 102 / 108mm	5NY 747 0-1XA11 5NY 747 0-1XA21 5NY 747 0-1XA31	5NY 747 0-1XA12 5NY 747 0-1XA22 5NY 747 0-1XA32	5NY 748 0-2XA11 5NY 748 0-2XA21 5NY 748 0-2XA31	5NY 748 0-2XA12 5NY 748 0-2XA22 5NY 748 0-2XA32
	ø 76mm ø 89mm ø 102 / 108mm	5NY 747 0-1XA11 5NY 747 0-1XA21 5NY 747 0-1XA31	5NY 747 0-1XA12 5NY 747 0-1XA22 5NY 747 0-1XA32	cross-arm only with mast available on request	cross-arm only with mast available on request



Projectors



SiCOMPACT R1 MINI-S

features

spotlight with rotationally symmetrical light beam | for mounting on mast mounting elements, cross-arms or wall arms* | specular aluminium reflector with narrow or wide beam characteristics | flat glass cover | for HIT-CE lamps | diecast aluminium housing | surface coated in Siteco metallic grey, optionally in pure white (RAL 9010)**

application area: indoors or outdoors
recommended mounting height: 2-10m
protection rating: IP65
protection class: I

benefits

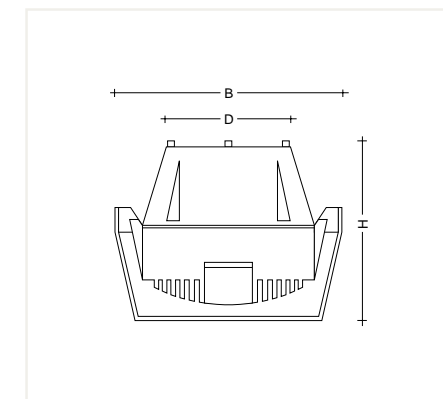
- compact spotlight
- recommended application area: landscape and garden lighting
- especially suitable for architectural spot lighting
- coloured diffusers optionally available as accessories
- suitable for smaller secondary reflector systems in indoor areas
- integrated pressure equalisation port

mounting height (m)



1. rear view
2. prominent design with high-grade finish
3. spot lighting with colour diffusers (as accessories)

Order No.	Lamps (W)	Dia. x H x B (mm)	Weight (kg)
SiCOMPACT R1 MINI-S narrow beam			
5NX 722 E-1HB08	1xHIT-CE 35W	165 222 264	4,6
5NX 722 E-1MB08	1xHIT-CE 70W	165 222 264	4,9
SiCOMPACT R1 MINI-S wide beam			
5NX 722 E-1HS08	1xHIT-CE 35W	165 222 264	4,6
5NX 722 E-1MS08	1xHIT-CE 70W	165 222 264	4,9



* please order accessories separately
** the luminaires are available in pure white (RAL 9010) as standard (see appendix for order number code)

reference	
□ accessories	13 16



SiCOMPACT R1 MINI Aluminium

features

spotlight with rotationally symmetrical light beam | for mounting on mast mounting elements, cross-arms or wall arms* | specular aluminium reflector with narrow or wide beam characteristics | flat glass cover | for HIT-CE lamps | diecast aluminium housing | surface coated in Siteco metallic grey, optionally in pure white (RAL 9010)**

application area: indoors or outdoors
recommended mounting height: 2-10m
protection rating: IP65
protection class: I

benefits

- adjustable horizontally and vertically
- all electrical components integrated inside housing
- high efficiency with compact design
- coloured diffusers optionally available as accessories
- especially suitable for architectural spot lighting
- integrated pressure equalisation port

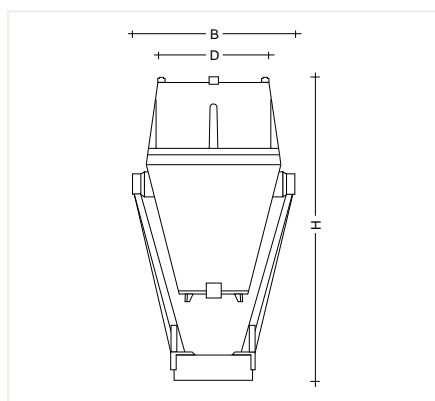


mounting height (m)



1. detail of bracket mounting with vertical tilting
2. specular aluminium reflector
3. wall mounting (please order accessories separately)
4. mast mounting with cross-arm for 2 floodlights
5. with coloured diffuser (accessory) for accent lighting

Order No.	Lamps (W)	Dia. x H x B (mm)	Weight (kg)
SiCOMPACT R1 MINI-Aluminium narrow beam			
5NX 724 E-1MB08	1xHIT-CE 70W	168 450 236	5,0
5NX 724 E-1PB08	1xHIT-CE 150W	168 450 236	6,0
SiCOMPACT R1 MINI-Aluminium wide beam			
5NX 724 E-1MS08	1xHIT-CE 70W	168 450 236	5,0
5NX 724 E-1PS08	1xHIT-CE 150W	168 450 236	6,0



* please order accessories separately

** the luminaires are available in pure white (RAL 9010) as standard (see appendix for order number code)

reference

■ accessories 13 | 16



SiCOMPACT R2 MIDI

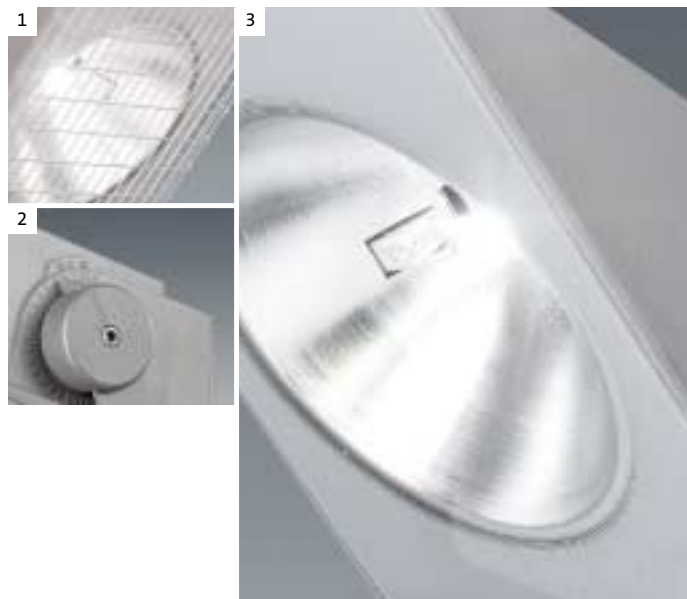
features

spotlight with rotationally symmetrical light beam | for mounting on masts* or supports | specular anodised reflector | flat glass cover | for HIT-DE and HST-DE lamps | diecast aluminium housing | surface coated in Siteco metallic grey

luminaire dimensions:
L = 565mm, B = 465mm, H= 155mm, weight: 18kg
recommended mounting height: 6-12m
protection rating: IP66
protection class: I

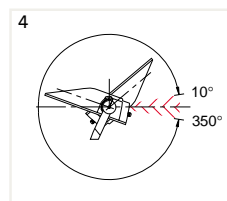
benefits

- operation with conventional ballast, with integrated thermal protection
- protection against dust and moisture with IP66
- pressure equalisation system with air-permeable connector for condensation avoidance
- luminaire series also available with symmetrical and asymmetrical light distribution
- protection against twisting with integrated friction lock | simple adjustment in 5° increments
- especially suitable for the spotlighting of high buildings or objects



1. with protective screen (accessory)
2. exact incremental adjustment with adjusting scale and integrated protection against twisting
3. specular aluminium reflector
4. tilt adjustment with operation outdoors

Order No.	Lamps (W)
SiCOMPACT R2 MIDI	
5NA 755 E-1RB0208	1xHIT-DE 250W
5NA 755 E-1SB0208	1xHST-DE 250W
5NA 755 E-1TB0208	1xHIT-DE/HIT-DE 400W



* please order accessories separately

reference
accessories 13 16



SiCOMPACT R2 MAXI

features

high-performance spotlight with rotationally symmetrical light beam | for mounting on masts* or supports | reflector of plated and anodised aluminium | cover of chemically toughened glass | for HIT-DE lamps | diecast aluminium housing and cover ring | grey (RAL 7036) surface coating

luminaire dimensions:

Dia. = 491mm, H = 363mm, weight: 10kg
recommended mounting height: 10-30m
protection rating: IP65
protection class: I

benefits

- especially suitable for large sports stadiums and high-mast systems | can be combined with the A2 MAXI and S2 MAXI luminaire series
- also suitable for use with secondary reflector systems (see chapter 14)
- also suitable for the spotlighting of buildings and bridges
- weather-proof sealing system with all-position breathing connectors
- all-pole mains disconnection with opening of housing (with double-socket lamps)
- variation available with instant hot re-ignition
- operation only with ceramic glass for upright operation | available as an essential accessory

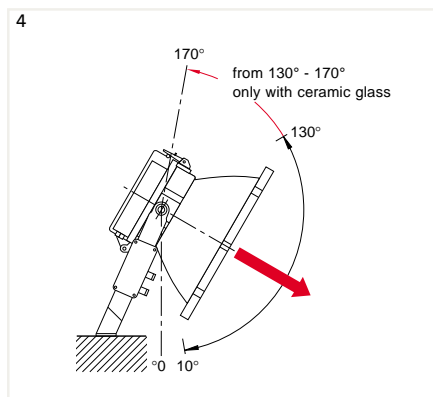


1. with hail shield* (accessory) to protect reflector
2. with tubular anti-dazzle hood to minimise lateral light spill
3. opening of housing without tools



Order No.	Lamps (W)
SiCOMPACT A2 MAXI with ignitor, without ballast ¹⁾ with side-mounted lamp	
5NA72601VS11	1xHIT-DE 1000W/D/S
5NA72601WS11	1xHIT-DE 2000W/D/S


1) please order and install ballast separately, see page 13 | 17



reference

☑ control gear	13 17
☑ accessories	13 16

* please order accessories separately

SiCOMPACT R1 MINI-S		SiCOMPACT R1 MINI Aluminium			
					
					
coloured diffusers with supporting frame green 5NX 724 0-0XG0208 red 5NX 724 0-0XG0308 blue 5NX 724 0-0XG0408 yellow 5NX 724 0-0XG4208	shield 5NX 724 0-0XB01	coloured diffusers with supporting frame green 5NX 724 0-0XG0208 red 5NX 724 0-0XG0308 blue 5NX 724 0-0XG0408 yellow 5NX 724 0-0XG4208	mast mounting element for mast spigot ø 76mm 5NY 724 0-0XM18 reducing sleeve (not shown) 5NY 724 0-0XR	wall bracket 5NY 724 0-0XW18	cross arm 5NY 724 0-0XT10

SiCOMPACT R2 MIDI		SiCOMPACT R2 MAXI		
				
				
protective screen 5NA 758 0-0XD cover glass protection ball-proof	cross arm for mast mounting see 13 7 (A2 MIDI) see 13 11 (S2 MIDI)	tubular anti-dazzle hood 5NA 726 0-0XB to minimise lateral light loss aluminium, matt black	sighting device 5NA 726 0-0XJ aid for spot-on adjustment can be fitted without tools	hail shield 5NA 726 0-0XH protects the reflector from extreme mechanical and climatic stresses

Control Gear For SiCOMPACT A2 MAXI | R2 MAXI



- compact unit for mast installation, for driving of luminaires with high-pressure lamps
- insulation class: I
- protection rating IP54
- control gear, compensation capacitor, fuse-base with screw cap and terminal strips mounted on the baseplate, wired ready for connection
- connecting terminal (10mm²)
- for outside cable diameters 8-15mm

Order No.	For Lamping	Weight (kg)	Length (mm)	Lamp Current (A)	Mains Power (V)
<i>control gear unit with fuse</i>					
5NA 759 2-1VK11	1 x HST 1000W	12.1	550	10.3	230/240
5NA 759 2-1VK10	1 x HIT 2000W/D/I	19.5	640	10.3	380/400
5NA 759 2-1VK0	1 x HIT-DE 1000W/D/S	12.0	550	9.5	230/240
5NA 759 2-1VK0	1 x HIT 1000W/D	12.0	550	9.5	230/240
5NA 759 2-1VK10	1 x HIT-DE 2000W/D/S	19.5	640	10.3	380/400
<i>control gear unit without fuse</i>					
5NA 759 2-1VR11	1 x HST 1000W	11.8	550	10.3	230/240
5NA 759 2-1VR10	1 x HIT 2000W/D/I	19.5	640	10.3	380/400
5NA 759 2-1VR0	1 x HIT-DE 1000W/D/S	11.7	550	9.5	230/240
5NA 759 2-1VR0	1 x HIT 1000W/D	11.7	550	9.5	230/240
5NA 759 2-1VR10	1 x HIT-DE 2000W/D/S	19.2	640	10.3	380/400

